

Technical specifications sheet

Part number **290043351160V**

Description **DPVCF 4/16 B~Flanged NW25~3kW 400/690V~50Hz 2P~IEC 100L~IE3~Fixed SiC Ca EPDM**

Vertical centrifugal pump, suction and discharge connections in-line.

Quotation details

Quotation number

Project

Position

Search criteria

Medium to be pumped
 Flow 4,00 m³/h
 Pressure 118,6 mwc

Hydraulic efficiency

Minimum efficiency index according: MEI ≥ 0.70
 Commission Regulation (EU) No 547/2012

Actual duty point

Flow 4 m³/h
 Pressure 118,6 mwc
 NPSH 1,2 m
 Efficiency 61,3 %
 Motor power 2,11 kW
 Frequency 50,0Hz

Connection base

Connection type Flanged
 DIN connection standard EN 1092-2
 ASME connection standard
 JIS connection standard
 DIN connection size NW25
 ASME connection size
 JIS connection size
 DIN connection pressure class PN25/40
 ASME connection pressure class
 JIS connection pressure class
 Material S/D casing Cast Iron JS1030
 Material flanges Cast Iron JS1030
 Material baseplate Cast Iron JS1030

Seal data

Shaft diameter ø 12mm
 Seal diameter ø 12mm
 Construction shaft seal Fixed
 Seal code 23
 Shaft seal type RMG12-G606
 Material mechanical seal Q1 B E GG
 Material shaft seal rotor SiC
 Material shaft seal stator Ca
 Material shaft seal elastomer EPDM
 Material pump elastomer EPDM
 Material seal cover
 Pressure class shaft seal PN25
 Temperature range shaft seal -20/+100°C

Basic hydraulic data

Maximum working pressure PN40+120°C
 Maximum liquid temperature 140°C+PN16
 Minimum liquid temperature -20°C
 Material hydraulic AISI304

Plug

Air relieve construction Vent. plug
 Material plug AISI304

For details contact

DP Pumps
 PO Box 28
 2400AA Alphen a/d Rijn
 The Netherlands

NL



Hydraulic performance sheet

Part number **290043351160V**

Description **DPVCF 4/16 B-Flanged NW25~3kW 400/690V~50Hz 2P~IEC 100L~IE3~Fixed SiC Ca EPDM**

Vertical centrifugal pump, suction and discharge connections in-line.

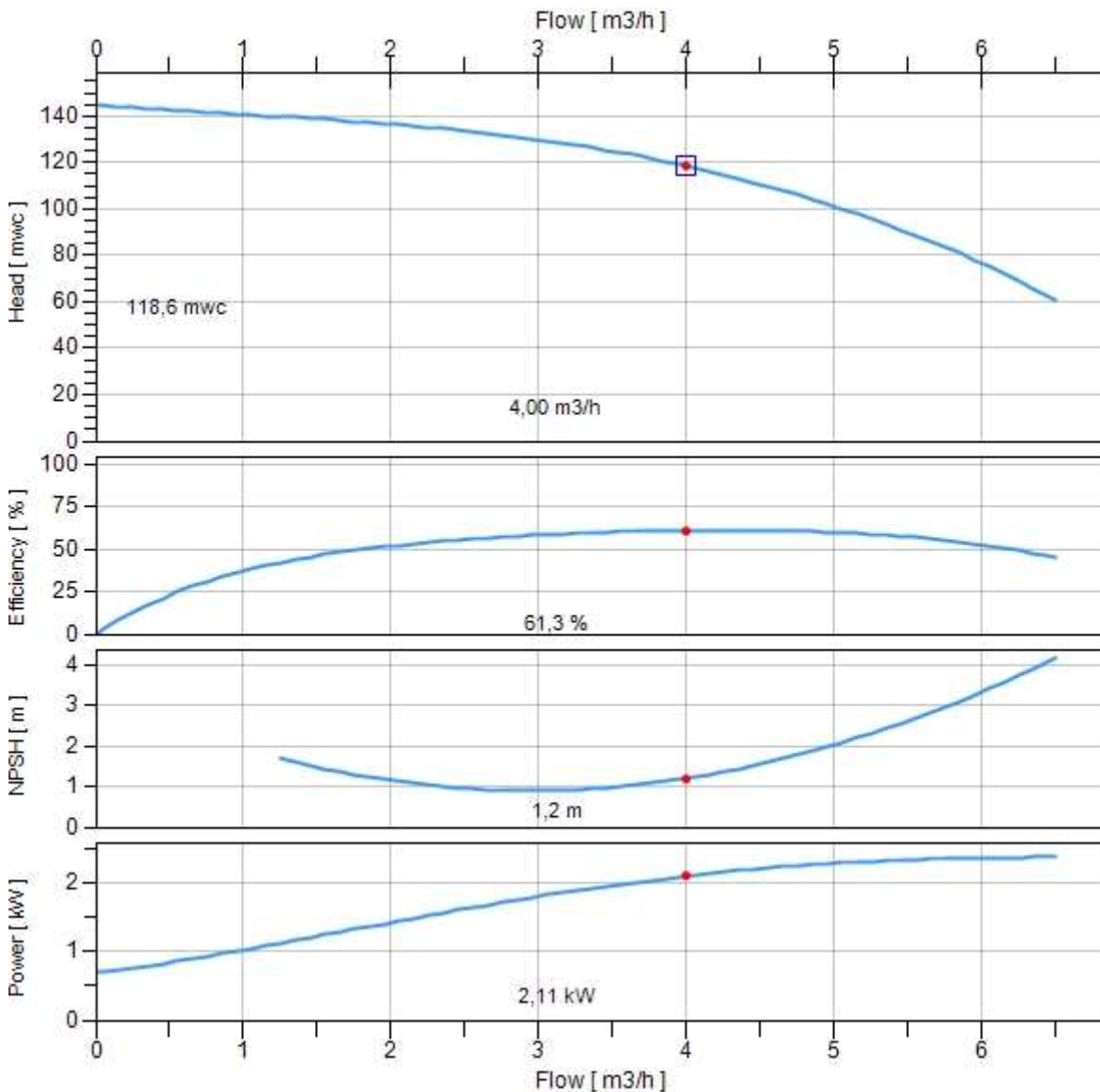
Search criteria

Medium to be pumped

Flow 4,00 m3/h
 Pressure 118,6 mwc

Actual duty point

Flow 4,00 m3/h
 Pressure 118,6 mwc
 Efficiency 61,3 %
 NPSH 1,2 m
 Power 2,11 kW
 Frequency 50,0Hz



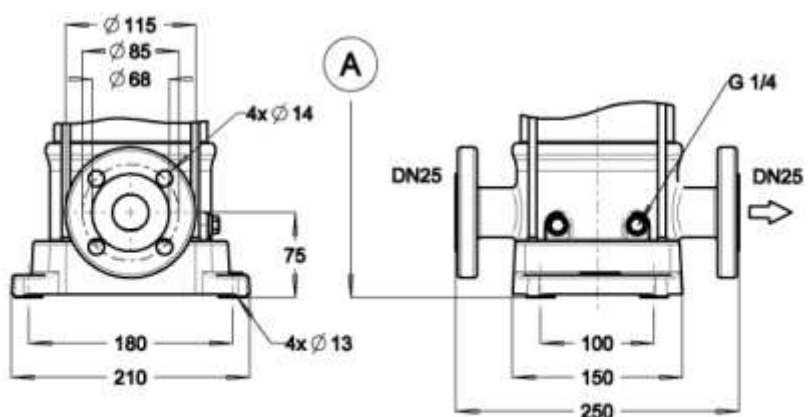
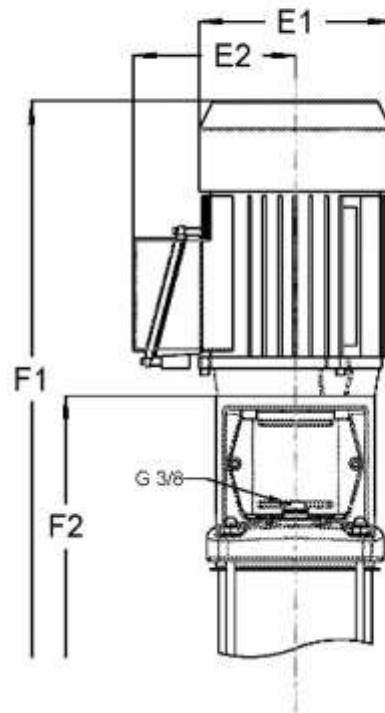
Duty point
 ● Actual
 □ Required

Dimensions sheet

Part number **290043351160V**

Description **DPVCF 4/16 B~Flanged NW25~3kW 400/690V~50Hz 2P~IEC 100L~IE3~Fixed SiC Ca EPDM**

Vertical centrifugal pump, suction and discharge connections in-line.



Motor width (E1)	199mm
Motor width (E2)	150mm
Total height (F1)	932mm
Total height (F2)	615mm
Total net weight	52kg

Motor specifications

Part number **3710152030**

Description **Motor DMC 3kW 400/690V 2P IE3 100L IP55 3xPTC Pos. 800**

Electric Data

Rated power output	3kW
Maximum power output	4,0kW
Rated voltage	400/690V
Phases	3ph
Frequency	50/60Hz
Voltage range	360-440/621-759V
Motor poles	2P
ATEX class	
Duty class	S1
Insulation class	F (rise-B)
Moment of inertia	0,0039kgm ²
Motor standard	IEC
Capacitor	
Motor efficiency	87,1%/86,4%
Motor efficiency class	IE3

50Hz

Tolerance rated voltage	±10%
Rated speed	2920rpm
Starting current factor (Ia/In)	9.3
Rated current (In)	5,8/3,3A
Maximum current (Imax)	7,5/4,3A
Rated Cos phi	0.85
Sound pressure	57dB(A)(A)
Rated nominal torque	9,8Nm
Rated starting torque	31,4Nm

60Hz

Tolerance rated voltage	-10% / +25%
Rated speed	3495rpm
Starting current factor (Ia/In)	7.6
Rated current (In)	5,6/3,2A
Maximum current (Imax)	7,5/4,3A
Rated Cos phi	0.9
Sound pressure	61dB(A)(A)
Rated nominal torque	8,2Nm
Rated starting torque	20,2Nm

Motor protection

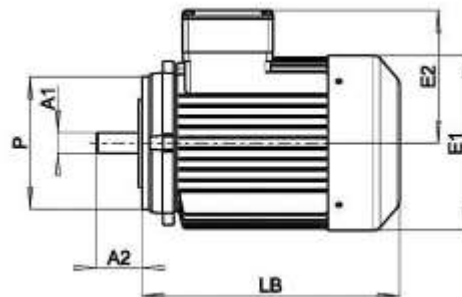
Motor protection class	IP55
Temperature sensor	3xPTC
Rain cover	
Anti condensation heater	

Mechanical data

Shaft execution	smooth shaft
Maximum starts per hour	30
Cable gland	2xM20x1,5
VFD allowance	VFD allowed max. 400V

Dimensions

Diameter shaft A1	28mm
Length shaft A2	60mm
Diameter motor E1	199mm
Terminal box height E2	150mm
Diameter flange P	160mm
L. motor (without shaft) LB	317mm
Frame size	100L
Motor construction type	IM V18
Motor face	IEC 60034-7 Form FT 130



Bearings / lubrication

Grease nipple	
Bearing fixation pos	D-end
D-end bearing type	6306-2Z-C3
Bearing grease	Lithium based -20°/+160

Details

Motor label	DMC
Weight	28kg
Lifting lugs	
Motor finish	RAL5002
Rated max. amb. temp.	40°C
Material housing	Aluminium