

Technical specifications sheet

Part number **290022251120C**

Description **DPV 2/12 B~Oval G 1~1,1kW 230/400V~50Hz 2P~IEC 80C~IE2~Fixed Ca SiC EPDM**

Vertical centrifugal pump, suction and discharge connections in-line.

Quotation details

Quotation number

Project

Position

Search criteria

Medium to be pumped
 Flow 1,90 m3/h
 Pressure 75,0 mwc

Hydraulic efficiency

Minimum efficiency index according: MEI \geq 0.70
 Commission Regulation (EU) No 547/2012

Actual duty point

Flow 1,9 m3/h
 Pressure 75 mwc
 NPSH 1,6 m
 Efficiency 53,6 %
 Motor power 0,73 kW
 Frequency 50,0Hz

Connection base

Connection type Oval
 DIN connection standard DIN-ISO 228-1
 ASME connection standard
 JIS connection standard
 DIN connection size G 1
 ASME connection size
 JIS connection size
 DIN connection pressure class PN16
 ASME connection pressure class
 JIS connection pressure class
 Material S/D casing AISI304
 Material flanges Cast Iron JL1040
 Material baseplate Cast Iron JS1030

Seal data

Shaft diameter \varnothing 12mm
 Seal diameter \varnothing 12mm
 Construction shaft seal Fixed
 Seal code 11
 Shaft seal type MG12-G60
 Material mechanical seal B Q1 E GG
 Material shaft seal rotor Ca
 Material shaft seal stator SiC
 Material shaft seal elastomer EPDM
 Material pump elastomer EPDM
 Material seal cover
 Pressure class shaft seal PN10
 Temperature range shaft seal -20/+100°C

Basic hydraulic data

Maximum working pressure PN40+120°C
 Maximum liquid temperature 140°C+PN16
 Minimum liquid temperature -20°C
 Material hydraulic AISI304

Plug

Air relieve construction Vent. plug
 Material plug AISI304

For details contact

DP Pumps
 PO Box 28
 2400AA Alphen a/d Rijn
 The Netherlands

NL



Hydraulic performance sheet

Part number **290022251120C**

Description **DPV 2/12 B-Oval G 1~1,1kW 230/400V~50Hz 2P~IEC 80C~IE2~Fixed Ca SiC EPDM**

Vertical centrifugal pump, suction and discharge connections in-line.

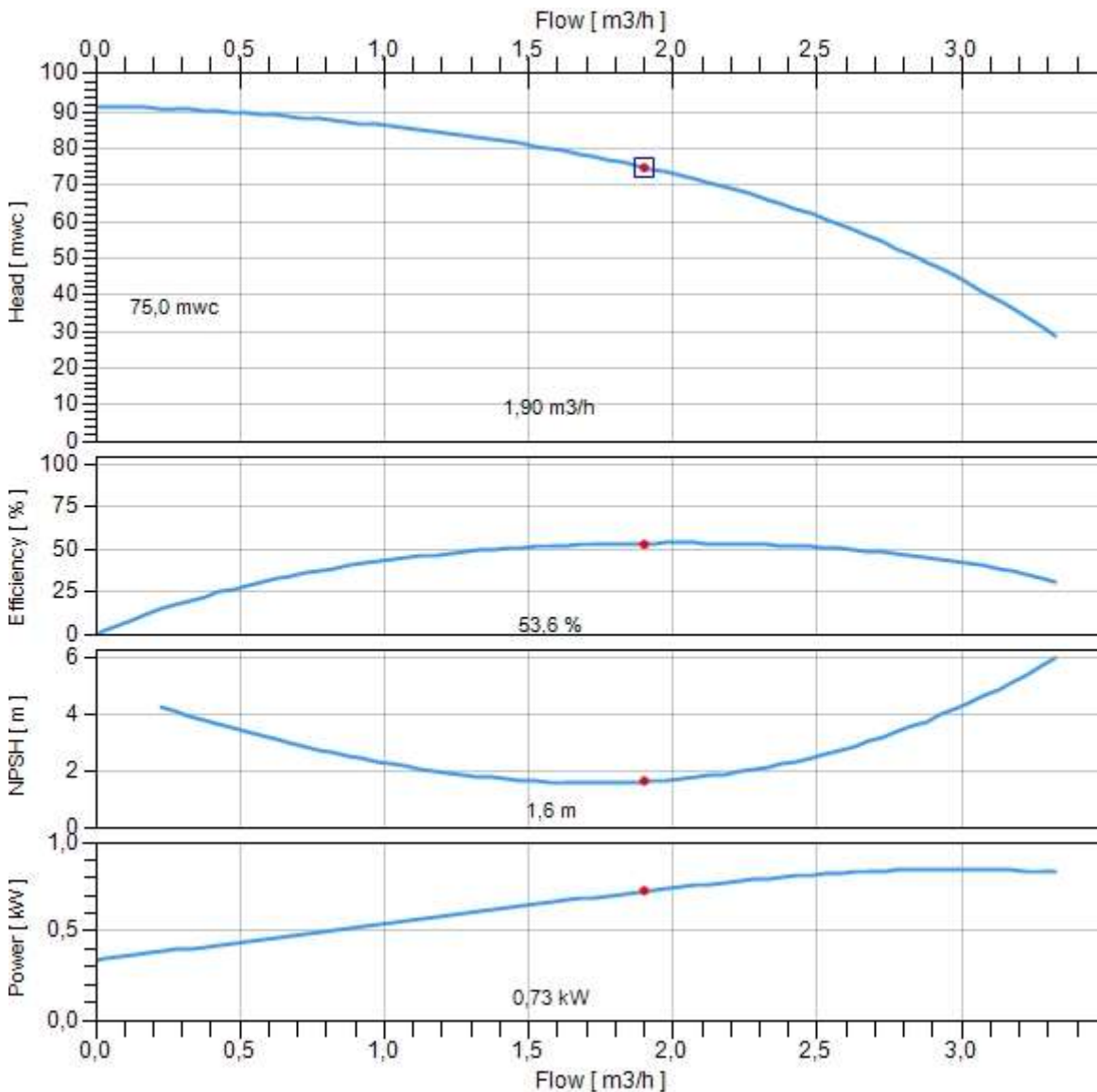
Search criteria

Medium to be pumped

Flow 1,90 m3/h
 Pressure 75,0 mwc

Actual duty point

Flow 1,90 m3/h
 Pressure 75,0 mwc
 Efficiency 53,6 %
 NPSH 1,6 m
 Power 0,73 kW
 Frequency 50,0Hz



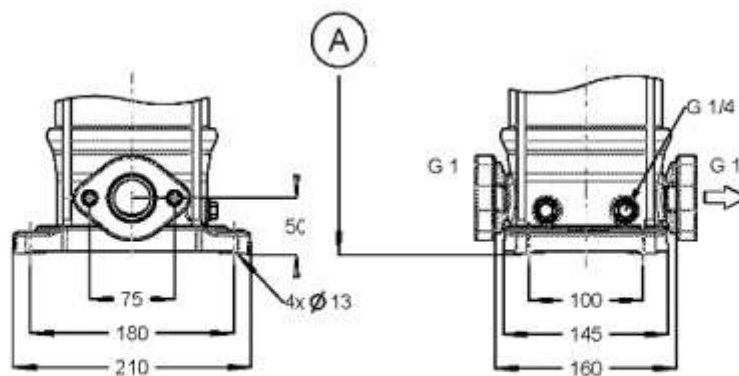
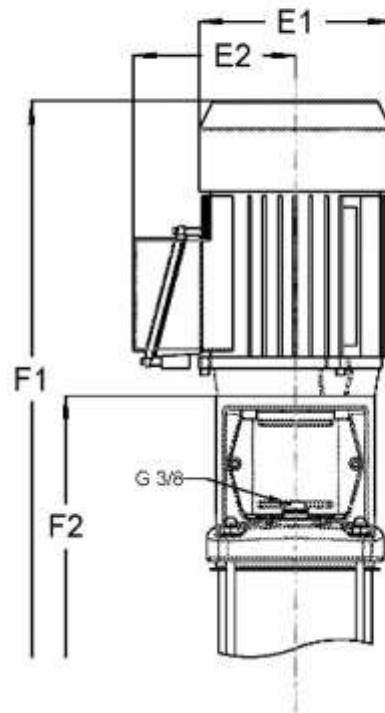
Duty point
 ● Actual
 □ Required

Dimensions sheet

Part number **290022251120C**

Description **DPV 2/12 B~Oval G 1~1,1kW 230/400V~50Hz 2P~IEC 80C~IE2~Fixed Ca SiC EPDM**

Vertical centrifugal pump, suction and discharge connections in-line.



| | |
|-------------------|-------|
| Motor width (E1) | 150mm |
| Motor width (E2) | 115mm |
| Total height (F1) | 748mm |
| Total height (F2) | 484mm |
| Total net weight | 28kg |

Motor specifications

Part number **3710011011**

Description **Motor DMC 1,1kW 230/400V 2P IE2 80C IP55 Pos. 800**

Electric Data

| | |
|------------------------|------------------------|
| Rated power output | 1,1kW |
| Maximum power output | 1,45kW |
| Rated voltage | 230/400V |
| Phases | 3ph |
| Frequency | 50/60Hz |
| Voltage range | 207-253/360-440V |
| Motor poles | 2P |
| ATEX class | |
| Duty class | S1 |
| Insulation class | F (rise-B) |
| Moment of inertia | 0,0014kgm ² |
| Motor standard | IEC |
| Capacitor | |
| Motor efficiency | 82,5/82,5% |
| Motor efficiency class | IE2 |

50Hz

| | |
|---------------------------------|----------|
| Tolerance rated voltage | ±10% |
| Rated speed | 2870rpm |
| Starting current factor (Ia/In) | 6.8 |
| Rated current (In) | 4,2/2,4A |
| Maximum current (Imax) | 5,4/3,1A |
| Rated Cos phi | 0.81 |
| Sound pressure | 60dB(A) |
| Rated nominal torque | 5Nm |
| Rated starting torque | 19Nm |

60Hz

| | |
|---------------------------------|------------|
| Tolerance rated voltage | +20%, -10% |
| Rated speed | 3440rpm |
| Starting current factor (Ia/In) | 6.8 |
| Rated current (In) | 4,2/2,4A |
| Maximum current (Imax) | 5,4/3,1A |
| Rated Cos phi | 0.81 |
| Sound pressure | 60dB(A) |
| Rated nominal torque | 4,1Nm |
| Rated starting torque | 15,2Nm |

Motor protection

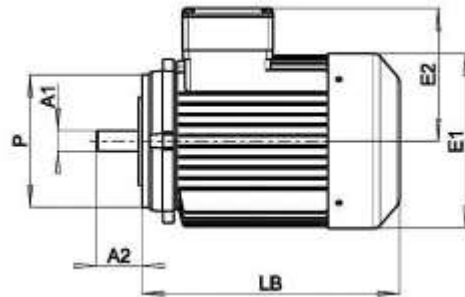
| | |
|--------------------------|------|
| Motor protection class | IP55 |
| Temperature sensor | |
| Rain cover | |
| Anti condensation heater | |

Mechanical data

| | |
|-------------------------|--------------|
| Shaft execution | smooth shaft |
| Maximum starts per hour | 50 |
| Cable gland | 1xM20x1,5 |
| VFD allowance | VFD allowed |

Dimensions

| | |
|-----------------------------|-------------------------|
| Diameter shaft A1 | 19mm |
| Length shaft A2 | 40mm |
| Diameter motor E1 | 150mm |
| Terminal box height E2 | 115mm |
| Diameter flange P | 120mm |
| L. motor (without shaft) LB | 264mm |
| Frame size | 80C |
| Motor construction type | IM V18 |
| Motor face | IEC 60034-7 Form FT 100 |



Bearings / lubrication

| | |
|----------------------|-------------------|
| Grease nipple | |
| Bearing fixation pos | D-end |
| D-end bearing type | 6204-2RS-C3 |
| Bearing grease | temp. -30°C/130°C |

Details

| | |
|-----------------------|-----------|
| Motor label | DMC |
| Weight | 12kg |
| Lifting lugs | |
| Motor finish | RAL5002 |
| Rated max. amb. temp. | 40°C |
| Material housing | Aluminium |