

## Technical specifications sheet

Part number **290022251070A**

Description **DPV 2/7 B~Oval G 1~0,55kW 230/400V~50Hz 2P~IEC 71C~~Fixed Ca SiC EPDM**

Vertical centrifugal pump, suction and discharge connections in-line.

### Quotation details

Quotation number

Project

Position

### Search criteria

Medium to be pumped  
 Flow 1,90 m3/h  
 Pressure 40,8 mwc

### Hydraulic efficiency

Minimum efficiency index according: MEI  $\geq$  0.70  
 Commission Regulation (EU) No 547/2012

### Actual duty point

Flow 1,9 m3/h  
 Pressure 40,8 mwc  
 NPSH 1,6 m  
 Efficiency 53,6 %  
 Motor power 0,39 kW  
 Frequency 50,0Hz

### Connection base

Connection type Oval  
 DIN connection standard DIN-ISO 228-1  
 ASME connection standard  
 JIS connection standard  
 DIN connection size G 1  
 ASME connection size  
 JIS connection size  
 DIN connection pressure class PN16  
 ASME connection pressure class  
 JIS connection pressure class  
 Material S/D casing AISI304  
 Material flanges Cast Iron JL1040  
 Material baseplate Cast Iron JS1030

### Seal data

Shaft diameter  $\varnothing$  12mm  
 Seal diameter  $\varnothing$  12mm  
 Construction shaft seal Fixed  
 Seal code 11  
 Shaft seal type MG12-G60  
 Material mechanical seal B Q1 E GG  
 Material shaft seal rotor Ca  
 Material shaft seal stator SiC  
 Material shaft seal elastomer EPDM  
 Material pump elastomer EPDM  
 Material seal cover  
 Pressure class shaft seal PN10  
 Temperature range shaft seal -20/+100°C

### Basic hydraulic data

Maximum working pressure PN40+120°C  
 Maximum liquid temperature 140°C+PN16  
 Minimum liquid temperature -20°C  
 Material hydraulic AISI304

### Plug

Air relieve construction Vent. plug  
 Material plug AISI304

### For details contact

DP Pumps  
 PO Box 28  
 2400AA Alphen a/d Rijn  
 The Netherlands

NL



# Hydraulic performance sheet

Part number **290022251070A**

Description **DPV 2/7 B~Oval G 1~0,55kW 230/400V~50Hz 2P~IEC 71C~~Fixed Ca SiC EPDM**

Vertical centrifugal pump, suction and discharge connections in-line.

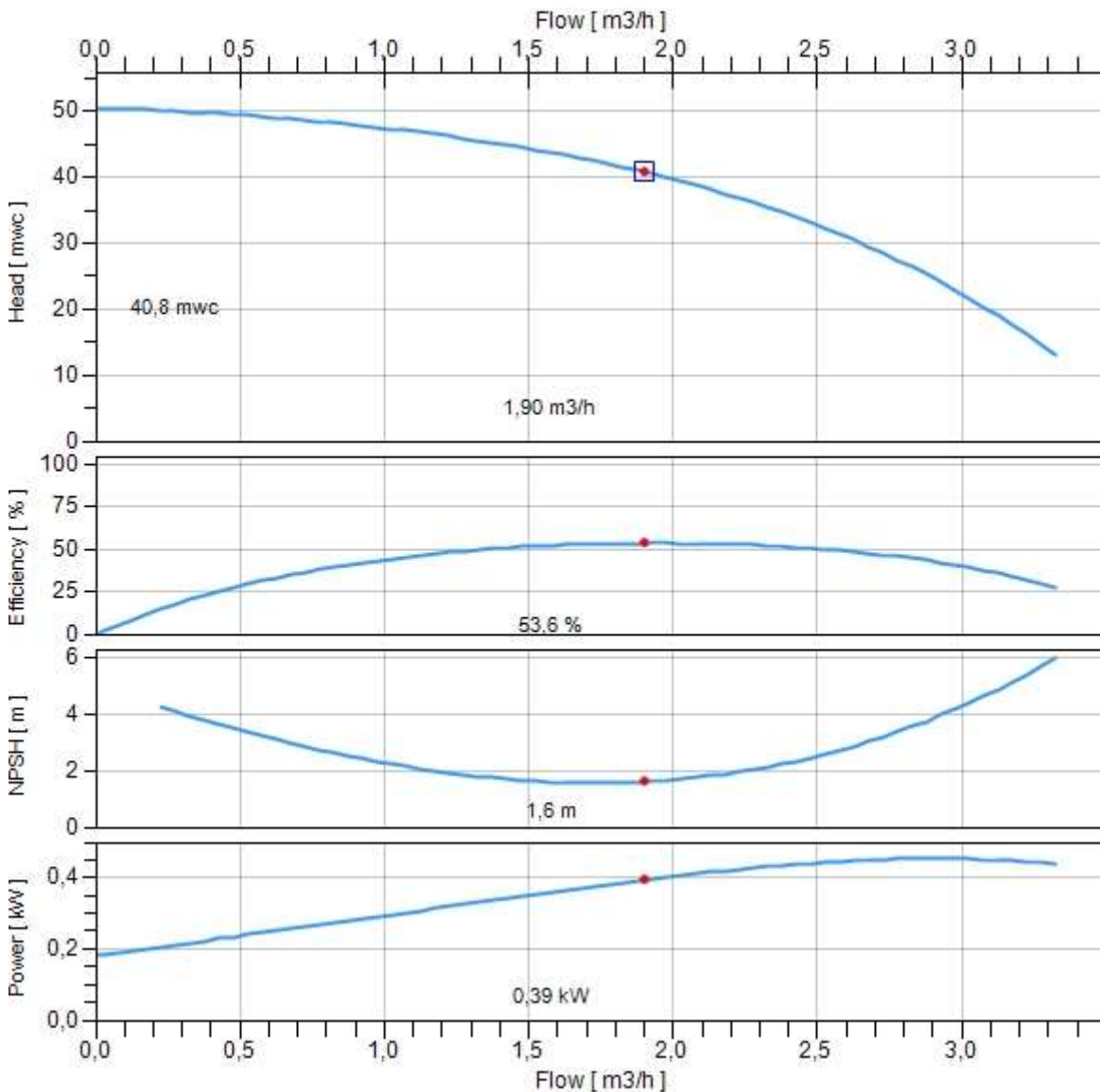
**Search criteria**

Medium to be pumped

Flow 1,90 m3/h  
 Pressure 40,8 mwc

**Actual duty point**

Flow 1,90 m3/h  
 Pressure 40,8 mwc  
 Efficiency 53,6 %  
 NPSH 1,6 m  
 Power 0,39 kW  
 Frequency 50,0Hz



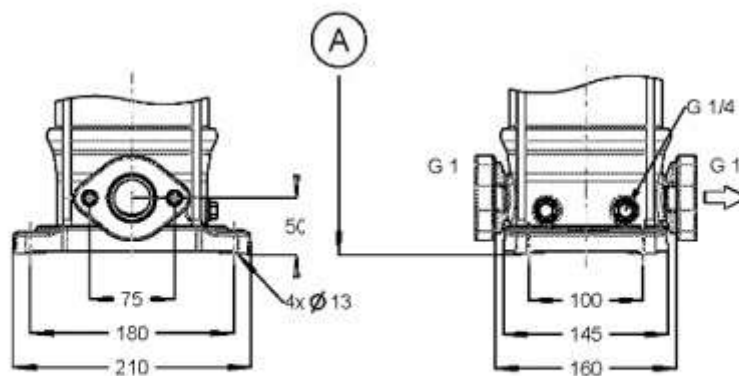
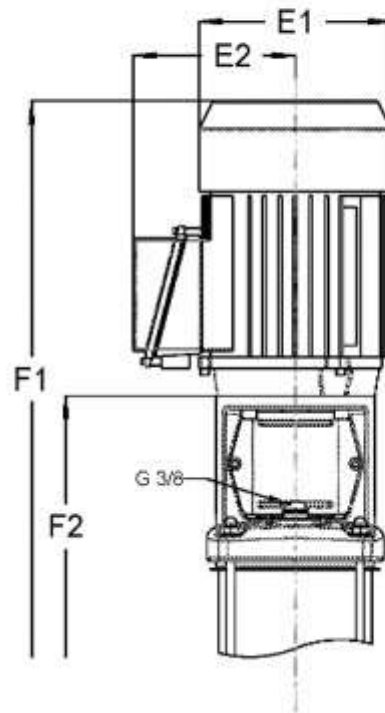
Duty point  
 ● Actual  
 □ Required

Dimensions sheet

Part number **290022251070A**

Description **DPV 2/7 B~Oval G 1~0,55kW 230/400V~50Hz 2P~IEC 71C~~Fixed Ca SiC EPDM**

Vertical centrifugal pump, suction and discharge connections in-line.



Motor width (E1)	134mm
Motor width (E2)	107mm
Total height (F1)	609mm
Total height (F2)	366mm
Total net weight	20kg

## Motor specifications

Part number **3710021005**

Description **Motor DMC 0,55kW 230/400V 2P 71C IP55 Pos. 800**

### Electric Data

Rated power output	0,55kW
Maximum power output	0,7kW
Rated voltage	230/400V
Phases	3ph
Frequency	50/60Hz
Voltage range	207-253/360-440V
Motor poles	2P
ATEX class	
Duty class	S1
Insulation class	F (rise-B)
Moment of inertia	0,00069kgm <sup>2</sup>
Motor standard	IEC
Capacitor	
Motor efficiency	82/82%
Motor efficiency class	

### 50Hz

Tolerance rated voltage	±10%
Rated speed	2880rpm
Starting current factor (Ia/In)	5.3
Rated current (In)	2,1/1,2A
Maximum current (Imax)	2,6/1,5A
Rated Cos phi	0.8
Sound pressure	60dB(A)
Rated nominal torque	1,8Nm
Rated starting torque	5,6Nm

### 60Hz

Tolerance rated voltage	+20%, -10%
Rated speed	3460rpm
Starting current factor (Ia/In)	5.3
Rated current (In)	2,1/1,2A
Maximum current (Imax)	2,6/1,5A
Rated Cos phi	0.8
Sound pressure	60dB(A)
Rated nominal torque	1,5Nm
Rated starting torque	4Nm

### Motor protection

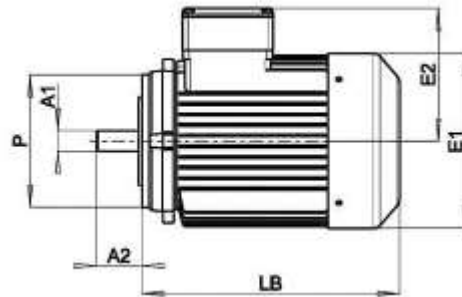
Motor protection class	IP55
Temperature sensor	
Rain cover	
Anti condensation heater	

### Mechanical data

Shaft execution	smooth shaft
Maximum starts per hour	50
Cable gland	1xM20x1,5
VFD allowance	VFD allowed

### Dimensions

Diameter shaft A1	14mm
Length shaft A2	30mm
Diameter motor E1	134mm
Terminal box height E2	107mm
Diameter flange P	105mm
L. motor (without shaft) LB	243mm
Frame size	71C
Motor construction type	IM V18
Motor face	IEC 60034-7 Form FT 85



### Bearings / lubrication

Grease nipple	
Bearing fixation pos	D-end
D-end bearing type	6203-2RS-C3
Bearing grease	temp. -30°C/130°C

### Details

Motor label	DMC
Weight	8,6kg
Lifting lugs	
Motor finish	RAL5002
Rated max. amb. temp.	40°C
Material housing	Aluminium