

## Technical specifications sheet

Part number **290103351080V**

Description **DPVCF 10/8 B~Flanged NW40~3kW 400/690V~50Hz 2P~IEC 100L~IE3~Fixed Ca Sic EPDM**

Vertical centrifugal pump, suction and discharge connections in-line.

### Quotation details

Quotation number

Project

Position

### Search criteria

Medium to be pumped  
 Flow 10,00 m3/h  
 Pressure 67,7 mwc

### Hydraulic efficiency

Minimum efficiency index according: MEI ≥ 0.70  
 Commission Regulation (EU) No 547/2012

### Actual duty point

Flow 10 m3/h  
 Pressure 67,7 mwc  
 NPSH 1,1 m  
 Efficiency 67,3 %  
 Motor power 2,74 kW  
 Frequency 50,0Hz

### Connection base

Connection type Flanged  
 DIN connection standard EN 1092-2  
 ASME connection standard  
 JIS connection standard  
 DIN connection size NW40  
 ASME connection size  
 JIS connection size  
 DIN connection pressure class PN25/40  
 ASME connection pressure class  
 JIS connection pressure class  
 Material S/D casing Cast Iron JS1030  
 Material flanges Cast Iron JS1030  
 Material baseplate Cast Iron JS1030

### Seal data

Shaft diameter ø 16mm  
 Seal diameter ø 16mm  
 Construction shaft seal Fixed  
 Seal code 11  
 Shaft seal type MG12-G60  
 Material mechanical seal B Q1 E GG  
 Material shaft seal rotor Ca  
 Material shaft seal stator Sic  
 Material shaft seal elastomer EPDM  
 Material pump elastomer EPDM  
 Material seal cover  
 Pressure class shaft seal PN10  
 Temperature range shaft seal -20/+100°C

### Basic hydraulic data

Maximum working pressure PN25+100°C  
 Maximum liquid temperature 140°C+PN16  
 Minimum liquid temperature -20°C  
 Material hydraulic AISI304

### Plug

Air relieve construction Vent. plug  
 Material plug AISI304

### For details contact

DP Pumps  
 PO Box 28  
 2400AA Alphen a/d Rijn  
 The Netherlands

NL



# Hydraulic performance sheet

Part number **290103351080V**

Description **DPVCF 10/8 B-Flanged NW40~3kW 400/690V~50Hz 2P~IEC 100L~IE3~Fixed Ca Sic EPDM**

Vertical centrifugal pump, suction and discharge connections in-line.

**Search criteria**

Medium to be pumped

Flow 10,00 m3/h

Pressure 67,7 mwc

**Actual duty point**

Flow 10,00 m3/h

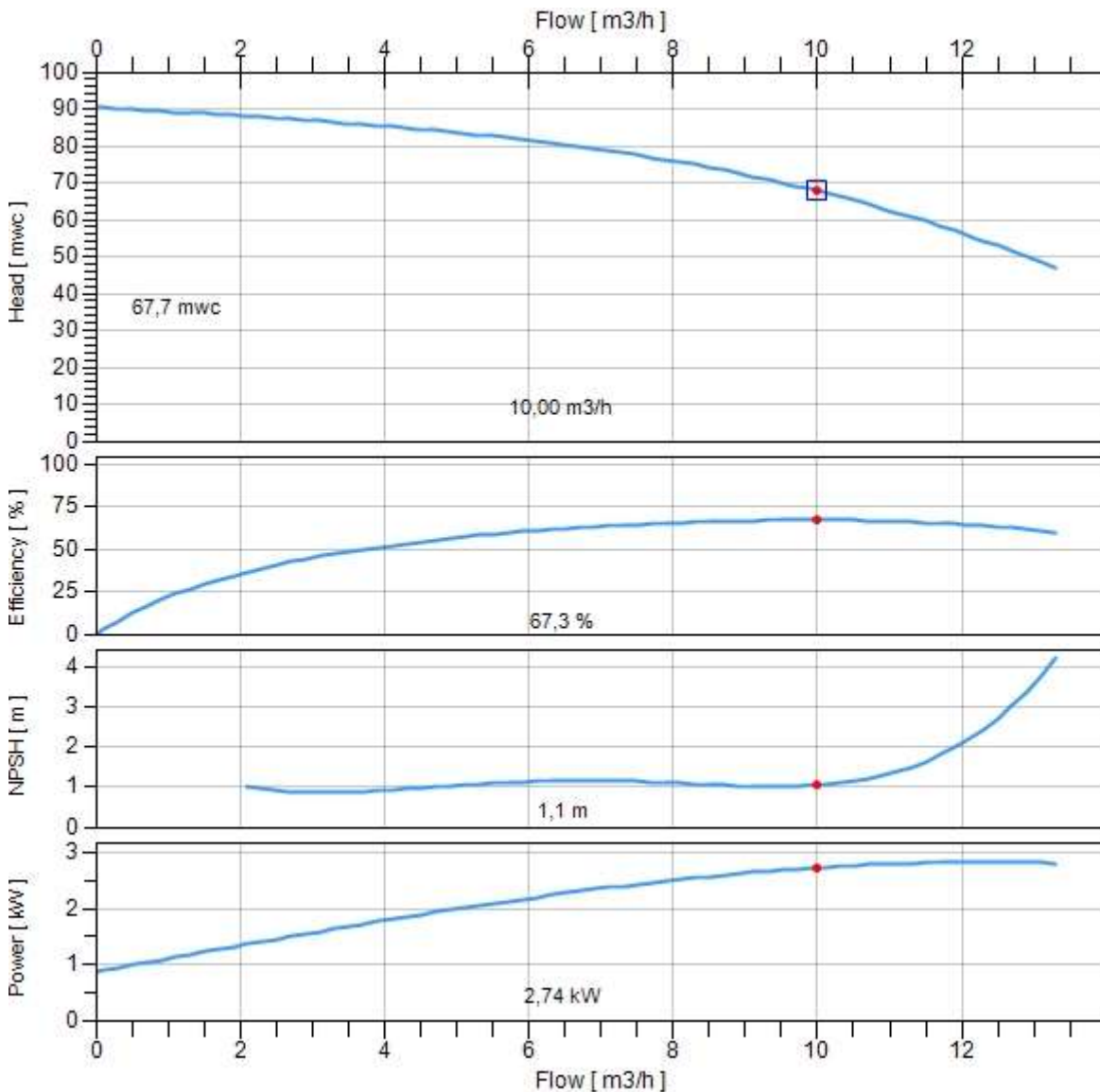
Pressure 67,7 mwc

Efficiency 67,3 %

NPSH 1,1 m

Power 2,74 kW

Frequency 50,0Hz



Duty point

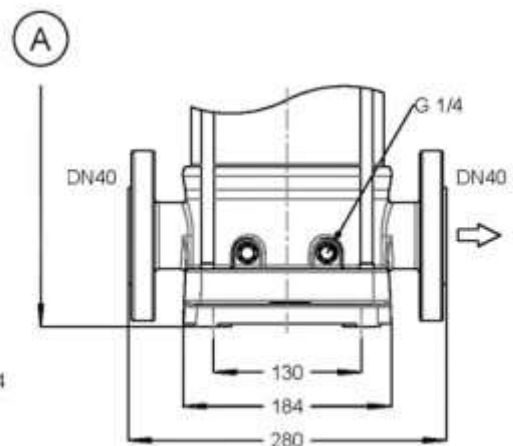
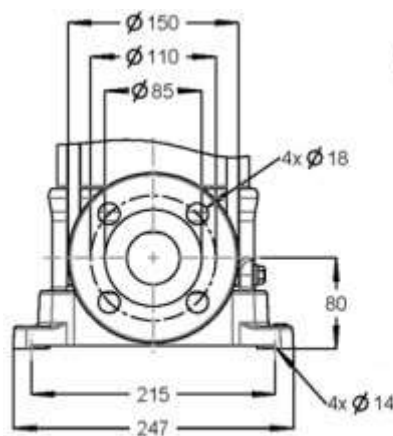
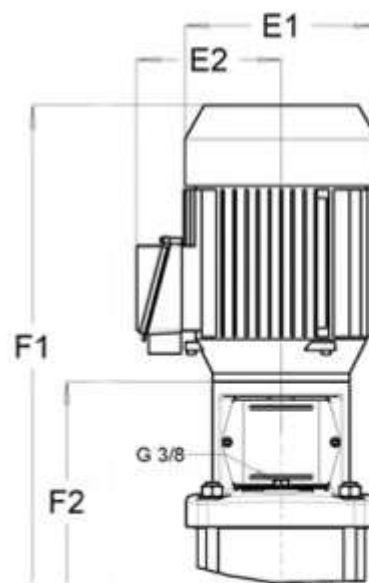
- Actual
- Required

**Dimensions sheet**

Part number **290103351080V**

Description **DPVCF 10/8 B~Flanged NW40~3kW 400/690V~50Hz 2P~IEC 100L~IE3~Fixed Ca Sic EPDM**

Vertical centrifugal pump, suction and discharge connections in-line.



Motor width (E1)	199mm
Motor width (E2)	150mm
Total height (F1)	842mm
Total height (F2)	525mm
Total net weight	59kg

## Motor specifications

Part number **3710152030**

Description **Motor DMC 3kW 400/690V 2P IE3 100L IP55 3xPTC Pos. 800**

### Electric Data

Rated power output	3kW
Maximum power output	4,0kW
Rated voltage	400/690V
Phases	3ph
Frequency	50/60Hz
Voltage range	360-440/621-759V
Motor poles	2P
ATEX class	
Duty class	S1
Insulation class	F (rise-B)
Moment of inertia	0,0039kgm <sup>2</sup>
Motor standard	IEC
Capacitor	
Motor efficiency	87,1%/86,4%
Motor efficiency class	IE3

### 50Hz

Tolerance rated voltage	±10%
Rated speed	2920rpm
Starting current factor (Ia/In)	9.3
Rated current (In)	5,8/3,3A
Maximum current (Imax)	7,5/4,3A
Rated Cos phi	0.85
Sound pressure	57dB(A)(A)
Rated nominal torque	9,8Nm
Rated starting torque	31,4Nm

### 60Hz

Tolerance rated voltage	-10% / +25%
Rated speed	3495rpm
Starting current factor (Ia/In)	7.6
Rated current (In)	5,6/3,2A
Maximum current (Imax)	7,5/4,3A
Rated Cos phi	0.9
Sound pressure	61dB(A)(A)
Rated nominal torque	8,2Nm
Rated starting torque	20,2Nm

### Motor protection

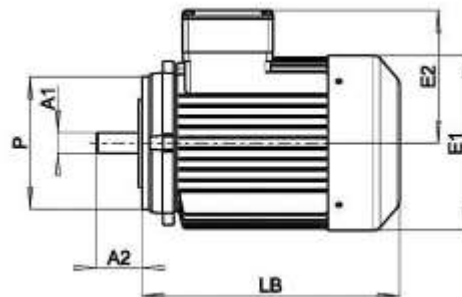
Motor protection class	IP55
Temperature sensor	3xPTC
Rain cover	
Anti condensation heater	

### Mechanical data

Shaft execution	smooth shaft
Maximum starts per hour	30
Cable gland	2xM20x1,5
VFD allowance	VFD allowed max. 400V

### Dimensions

Diameter shaft A1	28mm
Length shaft A2	60mm
Diameter motor E1	199mm
Terminal box height E2	150mm
Diameter flange P	160mm
L. motor (without shaft) LB	317mm
Frame size	100L
Motor construction type	IM V18
Motor face	IEC 60034-7 Form FT 130



### Bearings / lubrication

Grease nipple	
Bearing fixation pos	D-end
D-end bearing type	6306-2Z-C3
Bearing grease	Lithium based -20°/+160

### Details

Motor label	DMC
Weight	28kg
Lifting lugs	
Motor finish	RAL5002
Rated max. amb. temp.	40°C
Material housing	Aluminium