

## Technical specifications sheet

Part number **290103351170V**

Description **DPVCF 10/17 B~Flanged NW40~7,5kW 400/690V~50Hz 2P~IEC 132S~IE3~Fixed SiC Ca EPDM**

Vertical centrifugal pump, suction and discharge connections in-line.

### Quotation details

Quotation number

Project

Position

### Search criteria

Medium to be pumped  
 Flow 10,00 m3/h  
 Pressure 147,6 mwc

### Hydraulic efficiency

Minimum efficiency index according: MEI  $\geq$  0.70  
 Commission Regulation (EU) No 547/2012

### Actual duty point

Flow 10 m3/h  
 Pressure 147,6 mwc  
 NPSH 1,1 m  
 Efficiency 67,9 %  
 Motor power 5,92 kW  
 Frequency 50,0Hz

### Connection base

Connection type Flanged  
 DIN connection standard EN 1092-2  
 ASME connection standard  
 JIS connection standard  
 DIN connection size NW40  
 ASME connection size  
 JIS connection size  
 DIN connection pressure class PN25/40  
 ASME connection pressure class  
 JIS connection pressure class  
 Material S/D casing Cast Iron JS1030  
 Material flanges Cast Iron JS1030  
 Material baseplate Cast Iron JS1030

### Seal data

Shaft diameter  $\varnothing$  16mm  
 Seal diameter  $\varnothing$  16mm  
 Construction shaft seal Fixed  
 Seal code 23  
 Shaft seal type RMG12-G606  
 Material mechanical seal Q1 B E GG  
 Material shaft seal rotor SiC  
 Material shaft seal stator Ca  
 Material shaft seal elastomer EPDM  
 Material pump elastomer EPDM  
 Material seal cover  
 Pressure class shaft seal PN25  
 Temperature range shaft seal -20/+100°C

### Basic hydraulic data

Maximum working pressure PN40+120°C  
 Maximum liquid temperature 140°C+PN25  
 Minimum liquid temperature -20°C  
 Material hydraulic AISI304

### Plug

Air relieve construction Vent. plug  
 Material plug AISI304

### For details contact

DP Pumps  
 PO Box 28  
 2400AA Alphen a/d Rijn  
 The Netherlands

NL



# Hydraulic performance sheet

Part number **290103351170V**

Description **DPVCF 10/17 B~Flanged NW40~7,5kW 400/690V~50Hz 2P~IEC 132S~IE3~Fixed SiC Ca EPDM**

Vertical centrifugal pump, suction and discharge connections in-line.

**Search criteria**

Medium to be pumped

Flow 10,00 m3/h

Pressure 147,6 mwc

**Actual duty point**

Flow 10,00 m3/h

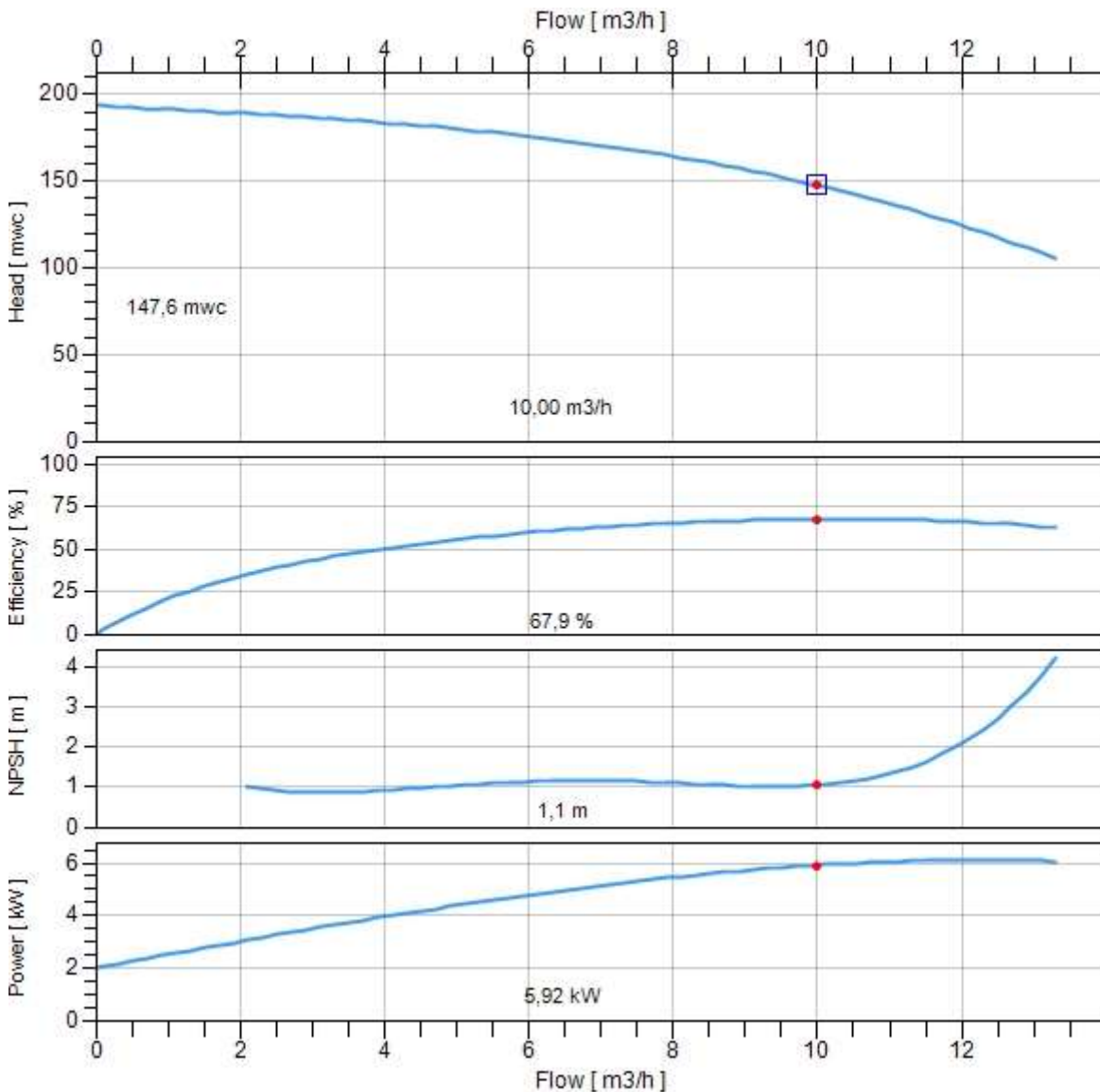
Pressure 147,6 mwc

Efficiency 67,9 %

NPSH 1,1 m

Power 5,92 kW

Frequency 50,0Hz



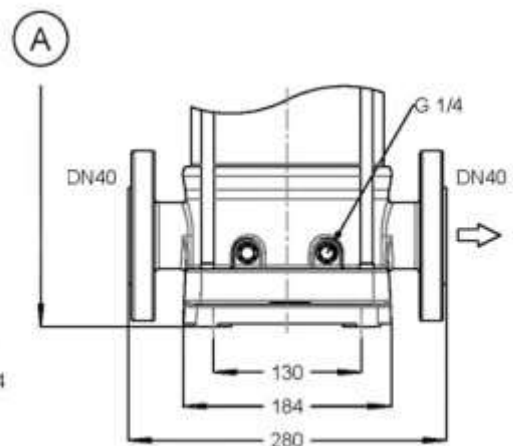
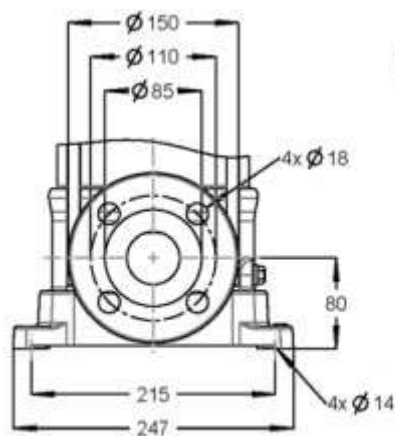
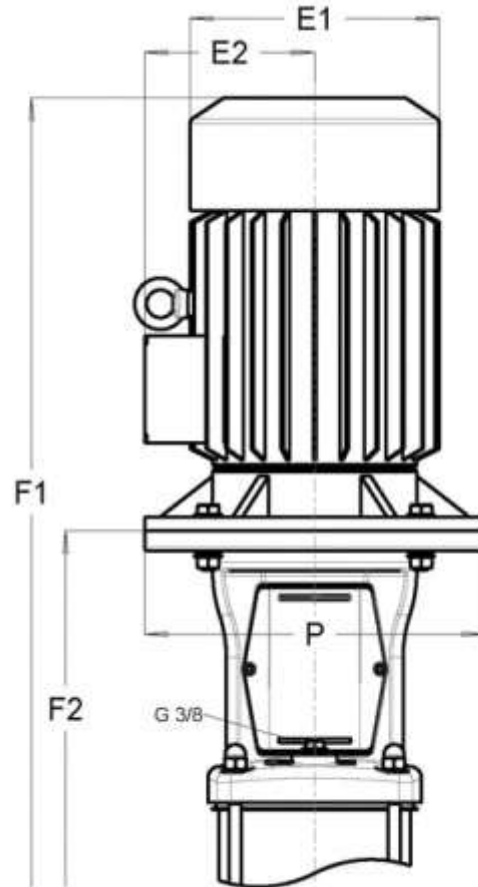
Duty point

- Actual
- Required

Part number **290103351170V**

Description **DPVCF 10/17 B~Flanged NW40~7,5kW 400/690V~50Hz 2P~IEC 132S~IE3~Fixed SiC Ca EPDM**

Vertical centrifugal pump, suction and discharge connections in-line.



Motor width (E1)	288mm
Motor width (E2)	197mm
Total height (F1)	1275mm
Total height (F2)	843mm
Total net weight	118kg

## Motor specifications

Part number **3710152075**

Description **Motor DMC 7,5kW 400/690V 2P IE3 132S IP55 3xPTC Pos. 801**

### Electric Data

Rated power output	7,5kW
Maximum power output	10,2kW
Rated voltage	400/690V
Phases	3ph
Frequency	50/60Hz
Voltage range	360-440/621-759V
Motor poles	2P
ATEX class	
Duty class	S1
Insulation class	F (rise-B)
Moment of inertia	0,017kgm <sup>2</sup>
Motor standard	IEC
Capacitor	
Motor efficiency	90,1%/89,5%
Motor efficiency class	IE3

### 50Hz

Tolerance rated voltage	±10%
Rated speed	2940rpm
Starting current factor (Ia/In)	9.2
Rated current (In)	13,3/7,7A
Maximum current (Imax)	18,1/10,4A
Rated Cos phi	0.89
Sound pressure	63dB(A)(A)
Rated nominal torque	24,4Nm
Rated starting torque	78,1Nm

### 60Hz

Tolerance rated voltage	-10% / +25%
Rated speed	3525rpm
Starting current factor (Ia/In)	8
Rated current (In)	13,0/7,5
Maximum current (Imax)	18,1/10,4A
Rated Cos phi	0.93
Sound pressure	67dB(A)(A)
Rated nominal torque	20,3Nm
Rated starting torque	48,7Nm

### Motor protection

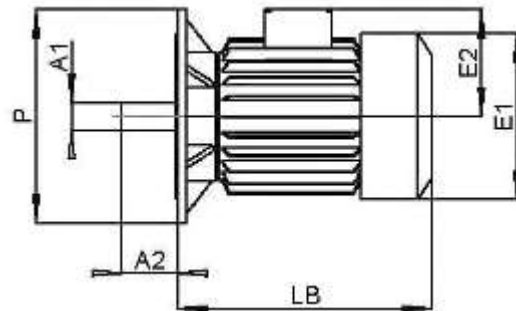
Motor protection class	IP55
Temperature sensor	3xPTC
Rain cover	
Anti condensation heater	

### Mechanical data

Shaft execution	smooth shaft
Maximum starts per hour	20
Cable gland	2xM25x1,5
VFD allowance	VFD allowed max. 400V

### Dimensions

Diameter shaft A1	38mm
Length shaft A2	80mm
Diameter motor E1	288mm
Terminal box height E2	197mm
Diameter flange P	300mm
L. motor (without shaft) LB	432mm
Frame size	132S
Motor construction type	IM V1
Motor face	IEC 60034-7 Form FF 265



### Bearings / lubrication

Grease nipple	
Bearing fixation pos	D-end
D-end bearing type	6308-2Z-C3
Bearing grease	Lithium based -20°/+160

### Details

Motor label	DMC
Weight	72kg
Lifting lugs	2xM10
Motor finish	RAL5002
Rated max. amb. temp.	40°C
Material housing	Cast Iron JL1040