

Technical specifications sheet

Part number **290043351220V**

Description **DPVCF 4/22 B~Flanged NW25~4kW 400/690V~50Hz 2P~IEC 112M~IE3~Fixed SiC Ca EPDM**

Vertical centrifugal pump, suction and discharge connections in-line.

Quotation details

Quotation number

Project

Position

Search criteria

Medium to be pumped
 Flow 4,00 m³/h
 Pressure 163,0 mwc

Hydraulic efficiency

Minimum efficiency index according: MEI ≥ 0.70
 Commission Regulation (EU) No 547/2012

Actual duty point

Flow 4 m³/h
 Pressure 163 mwc
 NPSH 1,2 m
 Efficiency 61,3 %
 Motor power 2,9 kW
 Frequency 50,0Hz

Connection base

Connection type Flanged
 DIN connection standard EN 1092-2
 ASME connection standard
 JIS connection standard
 DIN connection size NW25
 ASME connection size
 JIS connection size
 DIN connection pressure class PN25/40
 ASME connection pressure class
 JIS connection pressure class
 Material S/D casing Cast Iron JS1030
 Material flanges Cast Iron JS1030
 Material baseplate Cast Iron JS1030

Seal data

Shaft diameter ø 12mm
 Seal diameter ø 12mm
 Construction shaft seal Fixed
 Seal code 23
 Shaft seal type RMG12-G606
 Material mechanical seal Q1 B E GG
 Material shaft seal rotor SiC
 Material shaft seal stator Ca
 Material shaft seal elastomer EPDM
 Material pump elastomer EPDM
 Material seal cover
 Pressure class shaft seal PN25
 Temperature range shaft seal -20/+100°C

Basic hydraulic data

Maximum working pressure PN40+120°C
 Maximum liquid temperature 140°C+PN16
 Minimum liquid temperature -20°C
 Material hydraulic AISI304

Plug

Air relieve construction Vent. plug
 Material plug AISI304

For details contact

DP Pumps
 PO Box 28
 2400AA Alphen a/d Rijn
 The Netherlands

NL



Hydraulic performance sheet

Part number **290043351220V**

Description **DPVCF 4/22 B~Flanged NW25~4kW 400/690V~50Hz 2P~IEC 112M~IE3~Fixed SiC Ca EPDM**

Vertical centrifugal pump, suction and discharge connections in-line.

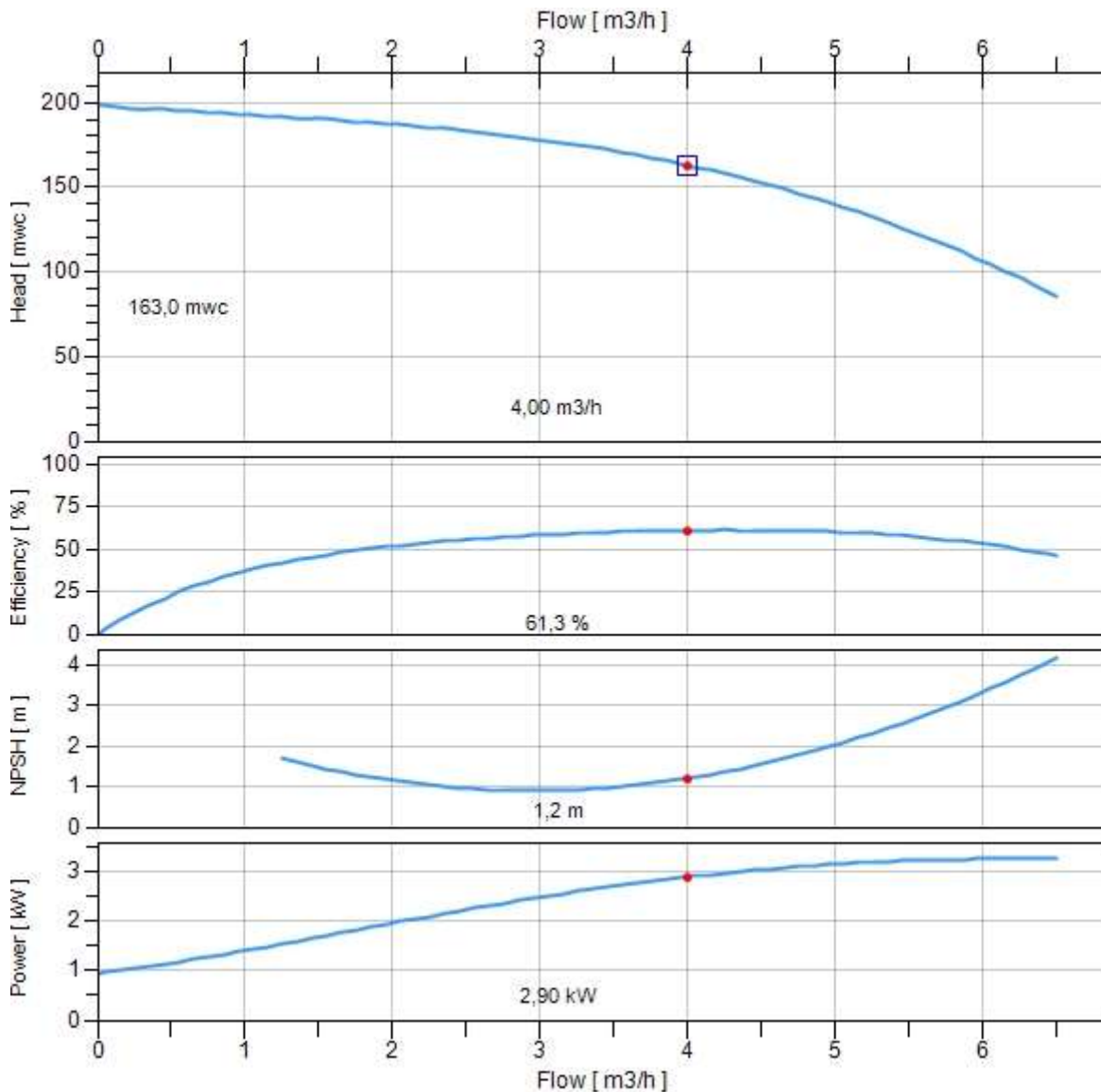
Search criteria

Medium to be pumped

Flow 4,00 m3/h
 Pressure 163,0 mwc

Actual duty point

Flow 4,00 m3/h
 Pressure 163,0 mwc
 Efficiency 61,3 %
 NPSH 1,2 m
 Power 2,90 kW
 Frequency 50,0Hz

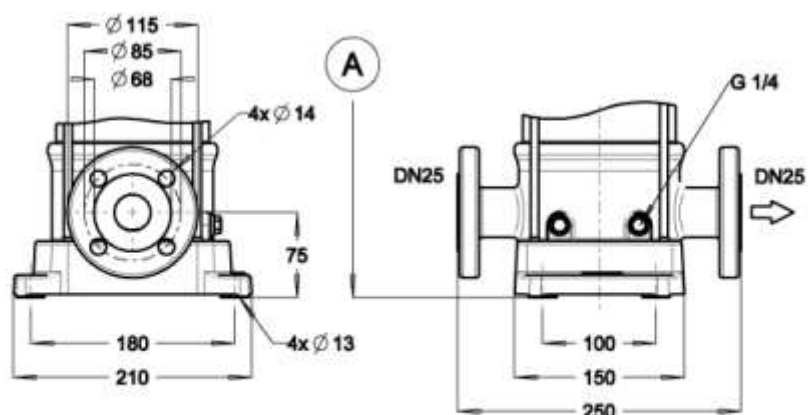
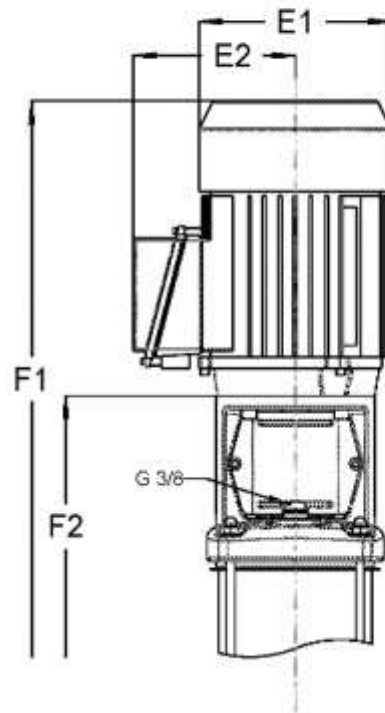


Duty point
 ● Actual
 □ Required

Part number **290043351220V**

Description **DPVCF 4/22 B~Flanged NW25~4kW 400/690V~50Hz 2P~IEC 112M~IE3~Fixed SiC Ca EPDM**

Vertical centrifugal pump, suction and discharge connections in-line.



Motor width (E1)	241mm
Motor width (E2)	165mm
Total height (F1)	1100mm
Total height (F2)	744mm
Total net weight	61kg

Motor specifications

Part number **3710152040**

Description **Motor DMC 4kW 400/690V 2P IE3 112M IP55 3xPTC Pos. 800**

Electric Data

Rated power output	4kW
Maximum power output	5,5kW
Rated voltage	400/690V
Phases	3ph
Frequency	50/60Hz
Voltage range	360-440/621-759V
Motor poles	2P
ATEX class	
Duty class	S1
Insulation class	F (rise-B)
Moment of inertia	0,0075kgm ²
Motor standard	IEC
Capacitor	
Motor efficiency	88,1%/87,2%
Motor efficiency class	IE3

50Hz

Tolerance rated voltage	±10%
Rated speed	2930rpm
Starting current factor (Ia/In)	9.5
Rated current (In)	7,4/4,3A
Maximum current (Imax)	9,8/5,7A
Rated Cos phi	0.89
Sound pressure	58dB(A)(A)
Rated nominal torque	13Nm
Rated starting torque	39Nm

60Hz

Tolerance rated voltage	-10% / +25%
Rated speed	3525rpm
Starting current factor (Ia/In)	8.8
Rated current (In)	7,2/4,2A
Maximum current (Imax)	9,8/5,7A
Rated Cos phi	0.92
Sound pressure	62dB(A)(A)
Rated nominal torque	10,8Nm
Rated starting torque	26,7Nm

Motor protection

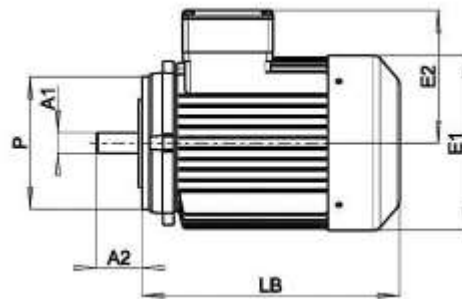
Motor protection class	IP55
Temperature sensor	3xPTC
Rain cover	
Anti condensation heater	

Mechanical data

Shaft execution	smooth shaft
Maximum starts per hour	30
Cable gland	2xM20x1,5
VFD allowance	VFD allowed max. 400V

Dimensions

Diameter shaft A1	28mm
Length shaft A2	60mm
Diameter motor E1	241mm
Terminal box height E2	165mm
Diameter flange P	160mm
L. motor (without shaft) LB	356mm
Frame size	112M
Motor construction type	IM V18
Motor face	IEC 60034-7 Form FT 130



Bearings / lubrication

Grease nipple	
Bearing fixation pos	D-end
D-end bearing type	6306-2Z-C3
Bearing grease	Lithium based -20°/+160

Details

Motor label	DMC
Weight	42kg
Lifting lugs	1xM10
Motor finish	RAL5002
Rated max. amb. temp.	40°C
Material housing	Aluminium